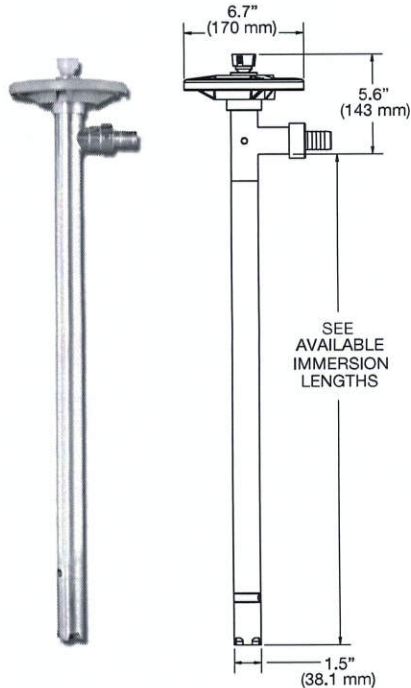


Common Applications

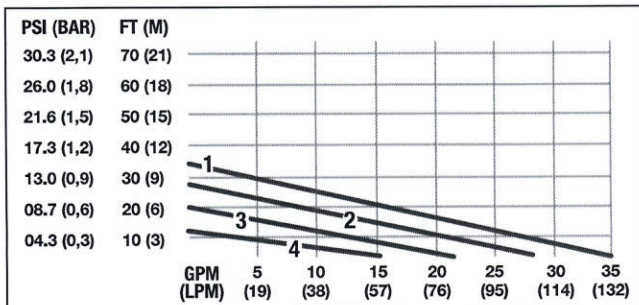
- Alcohol
- Solvents
- Isopropyl Ether
- Aqueous Ammonia
- Gasoline
- Petroleum Products

Technical Specifications

Pump Design: Sealless / Centrifugal
Discharge: 1" (25,4 mm) Hose Barb
 *3/4" (19 mm) Hose Barb *available upon request*
Wetted Materials:..... SS316L, PTFE, Carbon Graphite
Motor Drive Options:..... 110V & 220V Single Phase, Pneumatic, Explosion Proof
Maximum Viscosity: *(based on motor option)* SP-280P & SP-ENC : 1500 cps (mPas)
 SP-A2 & SP-420EX : 750 cps (mPas)
 SP-A1 : 450 cps (mPas)
 SP-410EX : 200 cps (mPas)
Maximum Discharge Pressure: SP-7600 : 16 psi (1,1 bar)
 SP-7700 : 32 psi (2,2 bar)
Maximum Flow Rate *(based on water)* SP-7600 : 35 gpm (132 lpm)
 SP-7700 : 16 gpm (60 lpm)
Maximum Specific Gravity:..... 1.8*
Maximum Temperature: 175° F (80° C)
Available Immersion Lengths: 27" (700 mm), 39" (1000 mm), 47" (1200 mm),
 60" (1500 mm), 72" 1800 mm
 *Additional lengths available upon request



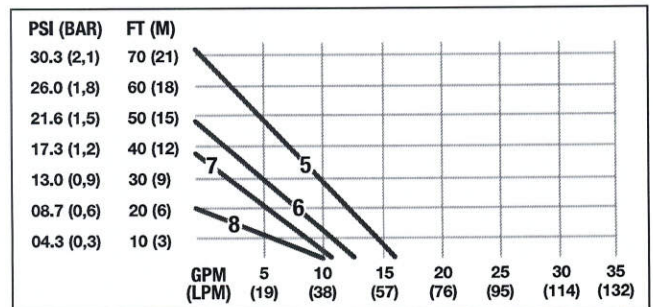
SP-7600



Flow Rate (Based On Water)

- 1 SP-280P, SP-ENC
- 2 SP-420EX, SP-A2
- 3 SP-A1
- 4 SP-410EX

SP-7700



Flow Rate (Based On Water)

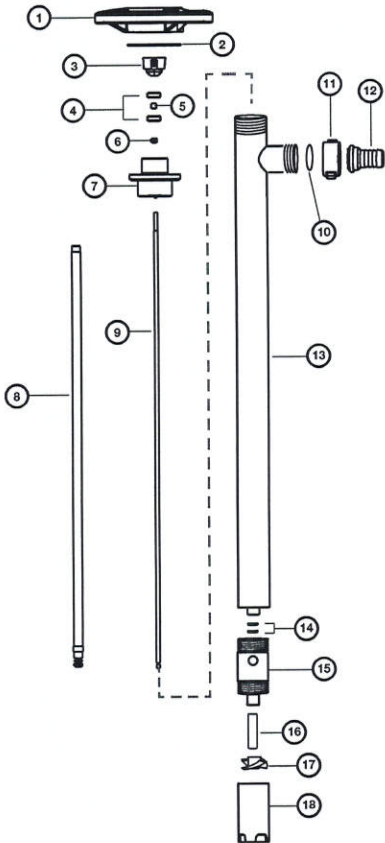
- 5 SP-280P, SP-ENC
- 6 SP-420EX, SP-A2
- 7 SP-A1
- 8 SP-410EX



Warning: When pumping flammable or combustible liquids, pump tube must be used in conjunction with an explosion proof motor.

- Note: Maximum Specific Gravity is 1.8 when used in conjunction with 825 watt motor.
- Note: When pumping viscosities over 1,000 cps, pump must be used intermittently to avoid potential premature failure and/or damage.

SP-7600 & 7700 Spare Parts List



Ref. Number	Description	P/N for SP-SS	Qty
1	Hand Wheel, PP	1842	1
2	Snap Ring, Steel	1508	1
3	Pump Coupling, Nylon	*1004	1
4	Bearing, Viton Shielded	*1038-2	2
5	Bearing Spacer, SS316L	*8838-4	1
6	Secondary Seal, PTFE	4000	1
7	Connection Flange, SS316L	8602	1
8	Guide Sleeve		
	27"/39"/47" (1000/1200 mm)	7659	1
	60"/72" (1500/1800 mm)	7660	1
9	Drive Shaft, SS316L		1
	27" (700 mm)	8605	
	39" (1000 mm)	8606	
	47" (1200 mm)	8607	
	60" (1500 mm)	8608	
	72" (1800 mm)	8609	
10	O-Ring, PTFE	*2195	1
11	Knurled Nut, SS316L	7656	1
12	Hose Barb, SS316L		1
	1" Hose Barb	7657	
	3/4" Hose Barb	7658	
13	Inner/Outer Tube Assembly, SS316L		1
	27" (700 mm)	7650	
	39" (1000 mm)	7651	
	47" (1200 mm)	7652	
	60" (1500 mm)	7653	
	72" (1800 mm)	7654	
14	O-Ring, Viton	7655	2
15	Pump Housing, SS316L	8824	1
16	Bushing, Carbon Graphite	*7606	1
17	Rotor/Impeller, PTFE		1
	High Volume Rotor (7600 Series)	*7706	
	High Pressure Impeller (7700 Series)	4608HH	
18	Pump Foot, SS316L		1
	High Volume (7600 Series)	8826	
	High Pressure (7700 Series)	8926	
n/a	Repair Kit (*Includes Items 3, 4, 5, 10, 16, 17)	7054	1
n/a	Ground Wire Set, includes (1) 10 ft. lengths, (2) 6 ft. length, and (1) 1 ft. length.	9003	1

When pumping flammable/combustible liquids, this pump must be used in conjunction with an explosion proof motor.

©Viton is a registered trademark of DuPont Dow Elastomers.